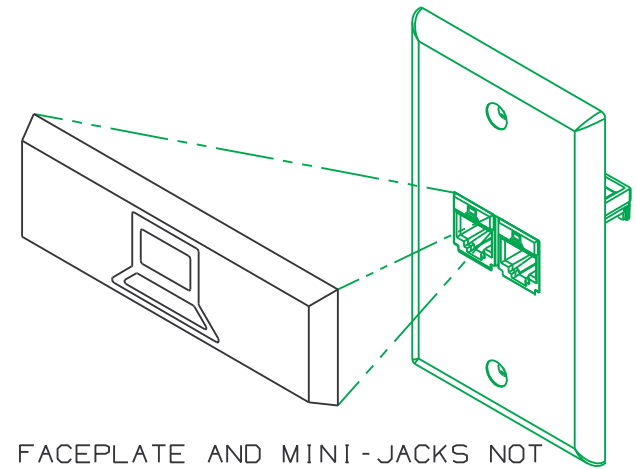
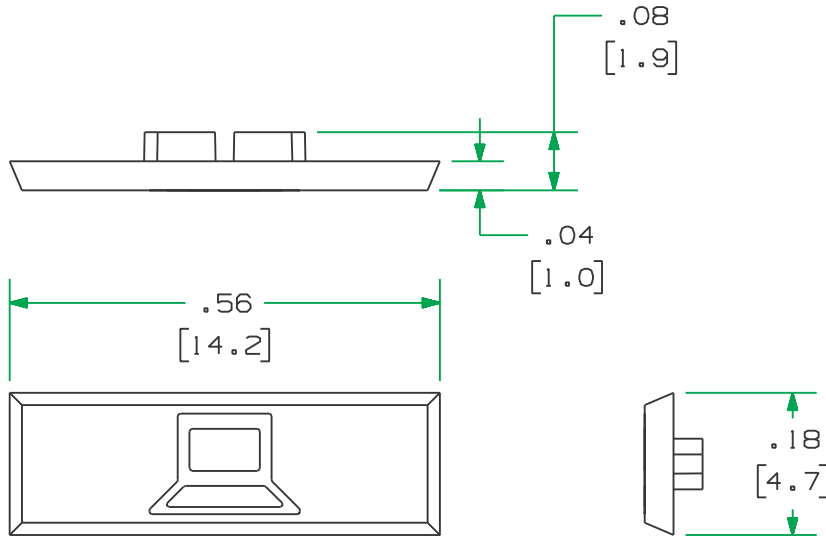


THIS COPY IS PROVIDED ON A RESTRICTED BASIS AND IS NOT TO BE USED IN ANY WAY DETRIMENTAL TO THE INTERESTS OF PANDUIT CORP.

| PANDUIT P/N | WEIGHT                             |
|-------------|------------------------------------|
| CID**-C     | .015 LB/100 PCS<br>(7.0 g/100 PCS) |

- NOTES:
- \*\*1. SEE CURRENT CATALOG FOR ADDITIONAL PART NUMBER SUFFIXES TO INDICATE COLOR AND OR PACKAGE QUANTITY.
  - SEE CATALOG FOR COMPLETE LIST OF PARTS APPLICABLE FOR USE WITH THIS PART.
  - DIMENSIONS IN PARENTHESES ARE IN METRIC.



FACEPLATE AND MINI-JACKS NOT INCLUDED IN PACKAGE.

|  |               |   |          |
|--|---------------|---|----------|
| CAD FILENAME/LAYERS  |               | M00633CB_DC_00A.PRT   |          |
| <b>PANDUIT</b> CORP. TINLEY PARK, ILLINOIS   |               |   |          |
| PAN-NET JACK ICON, DATA<br>(CID**-C) CUSTOMER DRAWING  |               |   |          |
| UNLESS OTHERWISE SPECIFIED,<br>DIMENSIONAL TOLERANCES ARE:<br>(.X) ± (.XXX) ± .010 (.3)<br>(.XX) ± .03 (.8) ANGLES ± |               | UNLESS OTHERWISE SPECIFIED,<br>ALL DIMENSIONS ARE GIVEN<br>IN INCHES, THIRD ANGLE PROJECTION. |          |
| DRAWN BY<br>JsP  | MAT'L:<br>ABS | SCALE<br>NONE   | DWG<br>A |
| DATE<br>8-25-99  | CHECKED BY    | DRAWING NO.<br>00633-03   | SIZE     |

| REV | DATE    | BY  | CHK | DESCRIPTION             | ECN      | CHK | CUST | SUP |
|-----|---------|-----|-----|-------------------------|----------|-----|------|-----|
| R   | 8-25-99 | JsP |     | RELEASED TO PRODUCTION. | 00633-03 |     |      |     |